

Optional accessories: Maxon AC adaptor

| model name | input | output | country | polarity |
|------------|------------------|-------------|--------------------|---------------------|
| AC2009*1 | 100VAC to 240VAC | 9VDC/2000mA | worldwide | center-/sleeve+ |
| AC210N | 120VAC | 9VDC/200mA | USA, Canada | |
| AC210U | 220VAC | | Europe (except UK) | |
| AC210UK | 230VAC | UK | | |
| AC210 | 100VAC | 10VDC/200mA | Japan | |
| AC310 | 100VAC | 10VDC/300mA | Japan | |

*1 Plug type of AC2009 varies with the suffix as shown below.
Please specify exact model (like AC2009AN, AC2009C) when ordering.

| suffix | country | suffix | country |
|--------|------------------------|--------|--|
| AN | Australia, New Zealand | U | Austria, Belgium, Denmark, Finland, France, Germany, Italy, Netherlands, Norway, Sweden, Switzerland, etc. |
| C | China | UK | UK |
| J | Japan | | |
| K | South Korea | | |
| N | USA, Canada | | |



If you want to dispose this product, do not mix with general household waste.
There is a separate collection system for used electronics products in accordance with legislation under the WEEE Directive (Directive 2002/96/EC) and is effective only within European Union.

FCC Class B Equipment, United States Only.

This equipment has been tested and found to comply with the limits for a Class B digital device, pursuant to Part 15 of the FCC rules.

These limits are designed to provide reasonable protection against harmful interference in a residential installation. This equipment generates, uses, and can radiate radio frequency energy and, if not installed and used in accordance with the instructions, may cause harmful interference to radio communications.

However, there is no guarantee that interference will not occur in a particular installation. If this equipment causes harmful interference to radio or television reception, which can be determined by turning the equipment off and on, the user is encouraged to try correct the interference by one or more of following measures:

- Reorient or relocate the receiving antenna.
- Increase the separation between the equipment and receiver.
- Connect the equipment into an outlet on a circuit that is different from that to which the receiver is connected.
- Consult the dealer or an experienced radio or television technician for help.

Declaration of conformity for products marked with the FCC logo, United States only. This device complies with Part 15 of FCC rules. Operation is subject to the following two conditions: (1) this device may not cause harmful interference, and (2) this device must accept any interference received, including interference that may cause undesired operation.

For questions regarding this FCC declaration, contact us by mail, phone or e-mail:

MAXON United States distributor:
Godlyke, Inc. P.O. Box 3076 Clifton, NJ 07012 USA
Phone: 973-777-7477

E-mail: info@godlyke.com
MAXON / NISSHIN ONPA CO., LTD.
E-mail: sales@maxon.co.jp

To identify this product, refer to the model number found on the product.



AMBIENT STEREO

CHORUS

ASC10

User's Guide

◆ SAFETY PRECAUTIONS ◆

To assure safe operation of the equipment, please make sure to read these precautions prior to use.

Keep this User's Guide on hand for future reference whenever you need it.

Maxon shall not be held liable to you or any third party for any losses caused by incorrect operation of this equipment, malfunction or any other failure of this equipment to operate as expected, or normal use of this equipment, except to the extent stipulated by law.

Maxon shall not be held liable to you or any third party for any losses related to concerts, exhibitions, or any other type of event due to malfunction or incorrect operation of this equipment.

NISSHIN ONPA CO., LTD.

4172-1 Shimauchi, Matsumoto-City, Nagano, 390-0851 Japan
TEL:+81-263-40-1403 FAX:+81-263-40-1410
www.maxon.co.jp sales@maxon.co.jp
For North America
www.maxonfx.com info@maxonfx.com

UMN-ASC-0102C Copyright © 1999-2012 NISSHIN ONPA CO., LTD.
Allright reserved. November 2012 Printed in Japan.

ALL SPECIFICATIONS ARE SUBJECT TO CHANGE FOR IMPROVEMENT WITHOUT NOTICE OR OBLIGATION.

● SAFETY PRECAUTIONS ● Please be sure to observe.

The safety precautions listed below are intended to ensure your safety whenever you use the equipment.

■ Precaution text is generally accompanied by the following symbols to alert you and others to the risk of personal and material injury that may be caused if the precaution is ignored.

Warning This symbol indicates an item that can result in death or serious personal injury if ignored.

Caution This symbol indicates an item that can result in serious personal injury or material damage if ignored.

■ Precaution text is generally accompanied by the following icons to alert you and others to things you should or should not do.

..... A triangle indicates something you should be careful about.

..... A circle with a line through it indicates something you should not do.

..... A black circle indicates something you must do.

Warning



NEVER OPEN THE CASE

NEVER OPEN THE CASE

• Never try to remove the bottom cover and to modify the equipment. (Internal components of the equipment use high voltages, and exposing them creates the danger of fire and electrical shock.)



STOP THE USE IN CASE OF A PROBLEM

• Stop using the equipment whenever you notice smoke or a strange odor coming from it.
• Contact your original dealer or nearest authorized service provider for service.



Immediately unplug AC adaptor from the power source

Warning



BEWARE OF HEAT BUILD-UP

• Never cover AC adaptor with cloth or other objects.
(Build up heat creates the danger of the equipment deformation and fire.)



Caution



USE SPECIFIED AC ADAPTOR ONLY

• Be sure to use only the AC adaptor specified in this User's Guide. Use of non-specified AC adaptors creates the danger of fire and electrical shock.



UNPLUGGING AC ADAPTOR

• Never try to unplug AC adaptor while your hands are wet. Doing so creates the danger of electrical shock.
• When unplugging AC adaptor from the power source, be sure to grasp the adaptor. Never pull on the cord. Doing so can damage the power cord and create the danger of fire and electrical shock.



WATER, HUMIDITY, DUST AND HIGH TEMPERATURES

• Never leave or use the equipment in bathrooms, the outdoors or other areas subject to water, high humidity, dust and high temperature. Doing so creates the danger of fire and electrical shock.



LEAVING THE EQUIPMENT UNATTENDED

• Whenever leaving the equipment unattended for long periods, be sure to unplug AC adaptor from the power source. If not, there is a danger of fire.

Immediately unplug AC adaptor from the power source

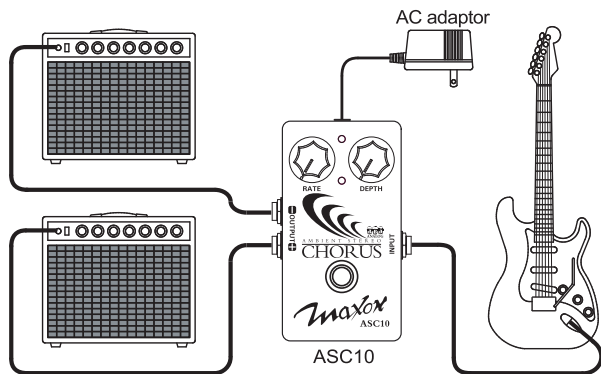
Ambient Stereo Chorus ASC10

- Maxon ASC10 is an analog stereo chorus pedal which provides spacious ambient sound by using BBD ICs. Creates clear and sensitive chorus sound with two simple controls.
- All-round guitar effect especially for acoustic guitar and electric guitar.
- Offers Leslie speaker effect or modern psychedelic modulation effect with large variable width of modulation rate.
- Provides dynamic and expressive true stereo chorus effect with dual outputs.

FEATURES AND CONTROLS

- INPUT (input jack)**
Input jack to connect to the output of guitar, other effects or related equipment. The product automatically turns on when a plug is inserted into this jack. When not in use, disconnect plug from input jack to preserve battery life.
- OUTPUT (output jack)**
Output jack to connect to input of amplifier or other effects. Use both and for stereo sound. Use either or for monoaural sound. Distinct chorus effect is available from . gives low-enhanced chorus effect compared with . Normally use .
- RATE (rate control knob)**
Controls modulation rate. Turn this knob CW for more modulation rate.
- DEPTH (depth control knob)**
Controls modulation depth. Turn this knob CW for deeper modulation. Modulation stops at fully CCW position.
- RATE INDICATOR (RATE LED indicator)**
This indicates chorus modulation speed. LED brightness synchronizes with the speed you set with RATE knob.
- FOOTSWITCH (bypass/effect switch)**
Switch for effect on/off. Employs a buffered bypass for noise-free switching. Stepping on this switch alternately turns effects on (LED on) and off (LED off).
- INDICATOR (bypass/effect LED indicator)**
The LED lights when effect is on. The light is turned off at bypass status. LED brightness synchronizes with battery condition.
⚠ No LED light indicates the battery is low or not installed. In this case replace the battery.
- DC INPUT (power input jack)**
Jack for connection of external power supply to effect.
⚠ Turn down amplifier's volume to the minimum before connecting AC adaptor to the product in order not to damage other connected equipment.

CONNECTION DIAGRAM



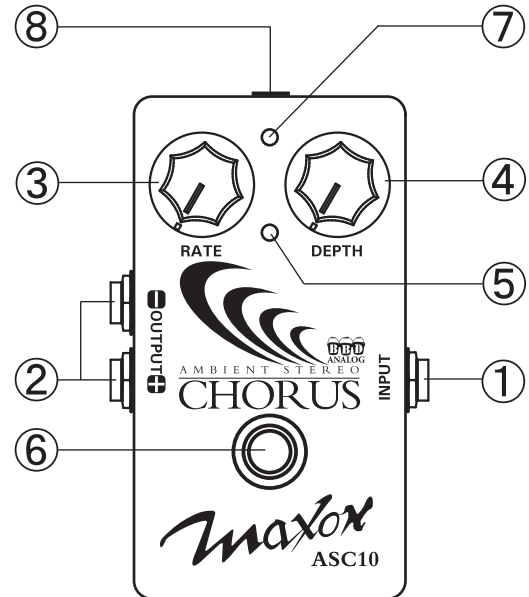
SPECIFICATIONS

| | |
|------------------------|--|
| Input Impedance | : 500k ohms |
| Output Impedance | : 10k ohms |
| Control | : RATE, DEPTH |
| Switch | : Bypass/Effect |
| Indicator | : Bypass/Effect LED, RATE LED |
| Maximum Input Level | : 4dB (400Hz) |
| Equivalent Input Noise | : -100dB or less (Input shorted, IHF-A weighted) |
| Delay Time | : 4.6mSec to 7.6mSec |
| Rate Frequency | : 0.33Hz to 8Hz |
| Power Supply | : 6F22/6LF22 9V battery x 1 or Maxon AC adaptor |
| Power Consumption | : 20mA max./ 9VDC |
| Battery Life | : 9VDC manganese battery 15 hours 25 deg C (FUJITSU 6F22) : 9VDC alkaline battery 30 hours 25 deg C (TOSHIBA 6LF22) |
| Dimensions | : 70(W) x 113(D) x 56(H)mm (with protrusion) |
| Weight | : Approx. 290g (incl. battery) |
| Accessory | : 6F22 9V battery x 1, operating manual |

*0dB = 0.775Vrms

*All specifications are subject to change for improvement without notice or obligation.

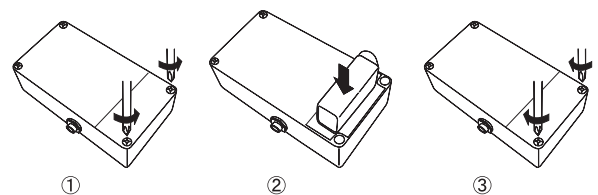
- Employs noise gate circuit to create natural and clear chorus.
- LED to indicate bypass/effect and battery condition for trouble-free performance.
- Employs RATE LED to check modulation rate. LED brightness synchronizes with the rate you set.
- Two-way power operation, using 9V battery or optional AC adaptor.
- Made in Japan.



BATTERY REPLACEMENT

ASC10 operates on one 9V battery (6F22 or 6LF22).

Follow the procedures below to replace a battery.



* Be sure the battery is firmly connected to battery snap with the correct polarities.

ATTENTION:

- Turn down the volume of effect and amplifier to the minimum before connecting Maxon effects to guitar, amplifier or other effects in order not to damage other connected equipment by unintended noise.
- When not in use, disconnect plug from input jack to preserve battery.
- Take out the battery if the product is not used for a long period of time.
- No or dark LED light indicates the battery is low or not installed. In this case replace the battery to avoid poor effect or distorted signal.
- Be sure to use the correct Maxon AC adaptor. Use of any other adaptor may cause trouble.
- Do not try to remove screws.